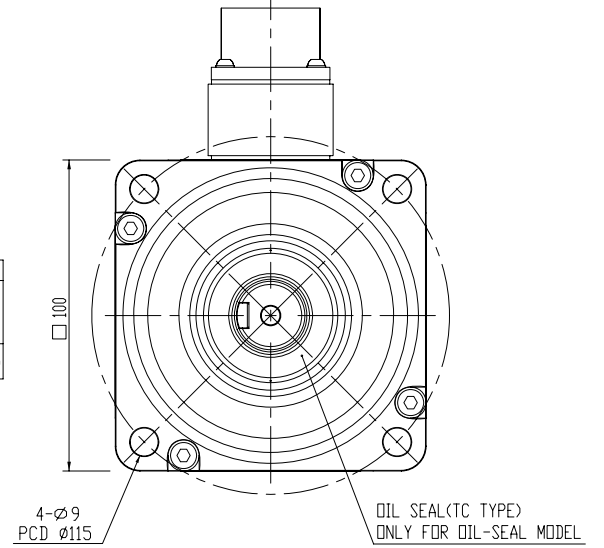
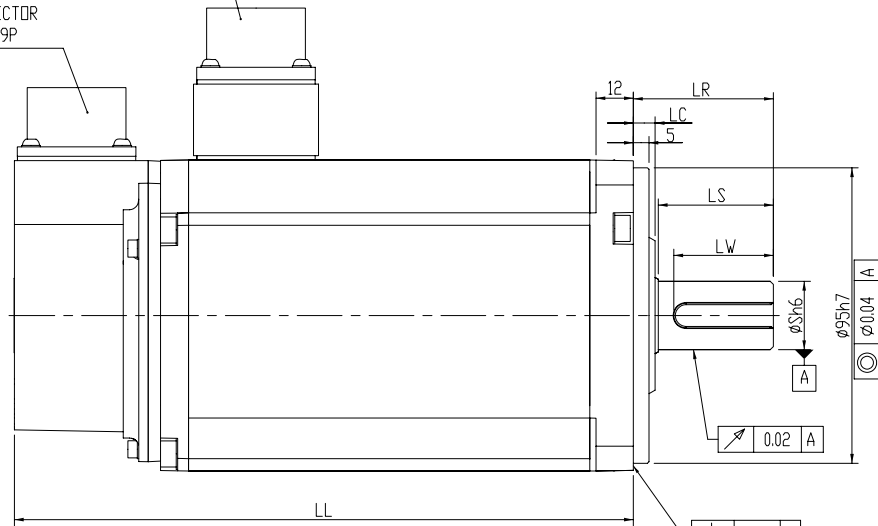


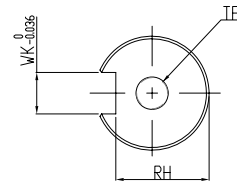
ENCODER CONNECTOR
MS3102A20-29P

MOTOR CONNECTOR
MS3102A20-18P

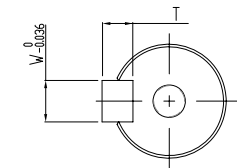


DIMENSION TABLE (MODEL WITHOUT BRAKE)

MODEL	LL	LR	LS	LC	S	LW	WK	W	T	RH	TP	LP	LE
ECMA-C□1010AS	153.25	45	37.0	7	22	—	—	—	—	—	M6, Depth 20	300	300
ECMA-C□1010CS						—	—	—	—	—			
ECMA-C□1010ES						—	—	—	—	—			
ECMA-C□1010GS						—	—	—	—	—			
ECMA-C□1020AS	199	45	37.0	7	22	—	—	—	—	—	M6, Depth 20	300	300
ECMA-C□1020CS						—	—	—	—	—			
ECMA-C□1020ES						—	—	—	—	—			
ECMA-C□1020GS						—	—	—	—	—			



SHAFT END DETAILS



KEY DETAILS

台達電子工業股份有限公司 DELTA ELECTRONICS, INC.	DRAWN:	DESIGN:
	DATE:	ECN NO.:
THESE DRAWINGS AND SPECIFICATIONS ARE THE PROPERTY OF DELTA ELECTRONICS, INC. AND SHALL NOT BE REPRODUCED OR USED AS THE BASIS FOR THE MANUFACTURE OR SELL OF APPARATUS OR DEVICES WITHOUT PERMISSION.	DIMENSIONAL TOLERANCES () () () ANGLES DECIMALS 0-4 ±0.05 <50 ±0.1 <50 ±0.5 <30° ±0.1° X ±0.3 4-16 ±0.08 >50-100 ±0.15 >50-100 ±1.0 >30°-60° ±0.3° X.X ±0.2 16-63 ±0.12 >100-200 ±0.2 >100-200 ±1.5 >60°-90° ±0.5° X.XX ±0.1 63-200 ±0.2 >200~ ±0.2% >200~ ±0.3%	
	DRAWING NAME: MOTOR_F100	A3 SIZE THIRD ANGLE PROJECTION
USED ON	UNIT mm	SHEET 1 OF 1